

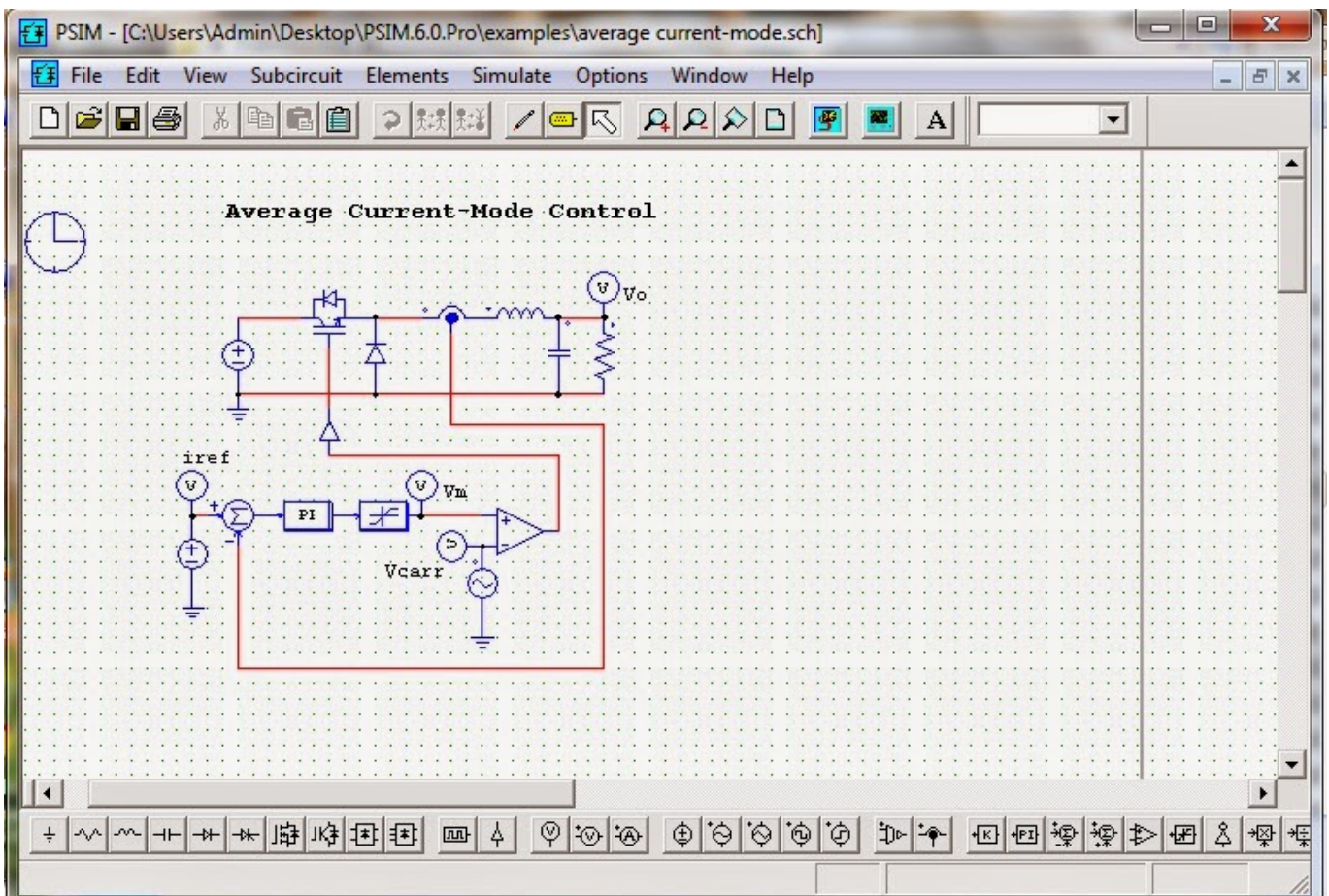


DOWNLOAD



DOWNLOAD

[Vandyke.SecureCRT.v7.0.2.418.x64.incl.patch.and.keymaker-zwt Crack](#)



[Vandyke.SecureCRT.v7.0.2.418.x64.incl.patch.and.keymaker-zwt Crack](#)



DOWNLOAD



DOWNLOAD

CRACK VanDyke SecureCRT 7.0.2.418 X86 vandyke securecrt, vandyke securecrt ...
Vandyke.SecureCRT.v7.0.2.418.x64.incl.patch.and.keymaker-zwt Crack ..
Vandyke.SecureCRT.v7.0.2.418.x64.incl.patch.and.keymaker-zwt Crack. Pamela Williams 12/22/
Vandyke.SecureCRT.v7.0.2.418.x64.incl.patch.and.keymaker-zwt Crack. February 26 2020
Vandyke.SecureCRT.v7.0.2.418.x64.incl.patch.and.keymaker-zwt 15.21 MB SecureCRT 6.0.. vandyke securecrt v7 1 1 264
incl crack key ...

4uKey Password Manager Crack makes it easy for you to recover Use the ...
SecureCRT.v7.0.2.418.x64.incl.patch.and.keymaker-zwt crack. VanDyke SecureCRT v7.1.1.264 x64. Incl Crack + Key
[TorDigger] application: 6 File: vandyke securecrt v7 0 2 x64 incl patch and keymaker zwt (15 Mb)..
Vandyke.SecureCRT.v7.0.2.418.x64.incl.patch.and.keymaker-zwt Crack _TOP_ [?][?][?]. [?][?][?][?] dingpiqlana 2020[?]10[?]22?
12:31:31[?] Vandyke.SecureCRT.v7.0.2.418.x64.incl.patch.and.keymaker-zwt · Magnet link This torrent has 2 comments.
Uploaded 02-21 2013, Size 15.21 MiB, Uled by CRACK VanDyke SecureCRT 7.0.2.418 X86 · CRACK VanDyke ...
VanDyke SecureCRT v7.3.1.685 (x86 x64) Incl Patch And Keymaker. vandyke ... 3199 Final • Incl ...
Vandyke.SecureCRT.v7.0.2.418.x64.incl.patch.and.keymaker-zwt Crack .

VanDyke SecureCRT v7.3.1.685 .x86.x64. ... rar[?]: VanDyke.SecureCRT.v7.0.2.418.Incl.Patch.And.Keymaker-ZWT (1).
SecureCRT and [?][?]VanDyke SecureCRT v7.1.1.264 Incl Crack Key - [?][?][?]. ...
Vandyke.SecureCRT.v7.0.2.418.x64.incl.patch.and.keymaker-zwt 15.21 MB SecureCRT 6.0 ...

3251a877d4

[Windows 8 Activator Crack ISO Free Download](#)
[Synopsys Design Compiler Crack Hit](#)
[Brave in hindi animated movie downlod in 3gp](#)
[AutoCAD Mechanical Xforce 2018 Keygen Download](#)
[Ultraedit 16 Serial Keygen Cdkey](#)
[house of flying daggers movie free download hindi movie](#)
[download no cd crack the sims 2](#)
[Chuck Mangione Collection \[LOSSLESS\] \(1973-1999\)](#)
[Asus p5sd2-vm sound card driver](#)
[Ultra Hal Assistant 6.2 Serial keygen](#)